

Operating Instructions/ Bedienungsanleitung/ Mode d'emploi/ Instrucciones de funcionamiento

INTERCHANGEABLE LENS FOR DIGITAL CAMERA

WECHSELOBJEKTIV FÜR DIGITAL-KAMERA

OBJECTIF INTERCHANGEABLE POUR APPAREIL PHOTO NUMÉRIQUE

ÓPTICA INTERCAMBIABLE PARA CÁMARA DIGITAL

Model No./Model Nr./Modèle n°/Modelo N.

H-FS35100

E

SQT0444-2

F0914DT2042



Manufactured by:
Panasonic Entertainment & Communication Co., Ltd.
1-10-12, Yagumo-higashi-machi, Moriguchi City, Osaka, Japan
Importer for UK:
Panasonic UK, a branch of Panasonic Marketing Europe GmbH
Maxis 2, Western Road, Bracknell, Berkshire, RG12 1RT
Importer for EU:
Panasonic Marketing Europe GmbH
Authorized Representative in EU:
Panasonic Testing Centre
Winsbergerring 15, 22525 Hamburg, Germany

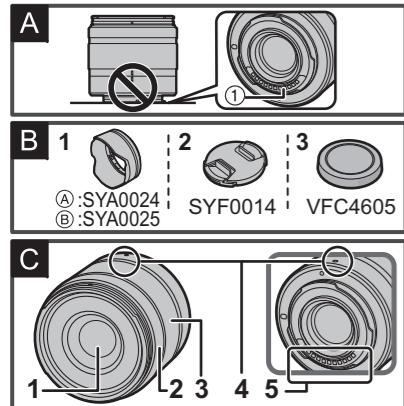
Hergestellt von:
Panasonic Entertainment & Communication Co., Ltd.
1-10-12, Yagumo-higashi-machi, Moriguchi City, Osaka, Japan
Importeur:
Panasonic Marketing Europe GmbH
Vertretungsberechtigter in der EU:
Panasonic Testing Centre
Winsbergerring 15, 22525 Hamburg, Deutschland
Fabriqué par:
Panasonic Entertainment & Communication Co., Ltd.
1-10-12, Yagumo-higashi-machi, ville de Moriguchi, Osaka, Japon
Importateur:
Panasonic Marketing Europe GmbH
Représentant autorisé dans l'UE:
Panasonic Testing Centre
Winsbergerring 15, 22525 Hambourg, Allemagne

Fabricado por:
Panasonic Entertainment & Communication Co., Ltd.
1-10-12, Yagumo-higashi-machi, Ciudad de Moriguchi,
Osaka, Japón
Importador:
Panasonic Marketing Europe GmbH
Representante Autorizado para la UE:
Panasonic Testing Centre
Winsbergerring 15, 22525 Hamburg, Alemania

Panasonic Entertainment
& Communication Co., Ltd.

Web Site: <http://www.panasonic.com>

© Panasonic Entertainment
& Communication Co., Ltd. 2014



A

- 1 Wipe the lens with a soft, dry cloth before and after taking pictures.
- 2 Do not place the lens mount facing downwards. Do not allow the lens contact points ① to become dirty.

(See illustration **A**)

B

- 1 Lens cap
- 2 Lens rear cap
- 3 Lens cap

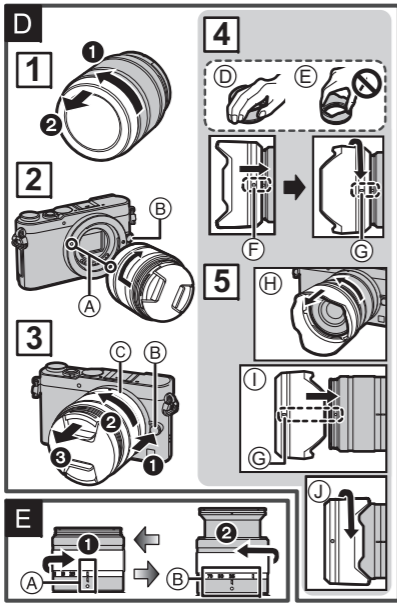
①: SYA0024, SYF0014, VFC4605
②: SYA0025

C

- 1 Lens cap
- 2 Lens rear cap
- 3 Lens cap
- 4 Lens cap
- 5 Lens cap

■ About Condensation (Fogging of the Lens)

- Condensation occurs when there are differences in temperature and humidity as described below. Condensation can cause the lens to become dirty and lead to mold and malfunctioning, so exercise caution in the following situations:
 - When the camera is brought indoors from outside during cold weather
 - When the camera is brought into an air-conditioned car
 - When cold air from an air conditioner is directly blown onto the lens
 - In humid places
- Put the camera into a plastic bag to allow it to acclimatize to the surrounding temperature in order to prevent condensation. If condensation occurs, turn the power off and leave it for about two hours. Once the camera acclimatizes to the surrounding temperature the condensation will go away naturally.



ENGLISH

Please read these instructions carefully before using this product, and save this manual for future use.

-If you see this symbol-

Disposal of Old Equipment
Only for European Union and countries with recycling systems

This symbol on the products, packaging, and/or accompanying documents means that used electrical and electronic products must not be mixed with general household waste. For proper treatment, recovery and recycling of old products, please take them to applicable collection points in accordance with your national legislation. By disposing of them correctly, you will help to save valuable resources and prevent any potential negative effects on human health and the environment. For more information about collection and recycling, please contact your local municipality. Penalties may be applicable for incorrect disposal of this waste, in accordance with national legislation.

Information for Your Safety

Keep the unit as far away as possible from electromagnetic equipment (such as microwave ovens, TVs, video games, radio transmitters, high-voltage lines etc.).

- Do not use the camera near cell phones because doing so may result in noise adversely affecting the pictures and sound.
- If the camera is adversely affected by electromagnetic equipment and stops functioning properly, turn the camera off and remove the battery and/or the connected AC adaptor. Then reinsert the battery and/or reconnect the AC adaptor and turn the camera on.
- The lens can be used with a digital camera compatible with the lens mount standard for the "Micro Four Thirds™ System".
- It cannot be mounted on the Four Thirds™ mount specification camera.
- The digital camera illustrations in these operating instructions show DMC-GM5 as an example.
- The appearance and specifications of products described in this manual may differ from the actual products you have purchased due to later enhancements.
- Micro Four Thirds™ and Micro Four Thirds Logo marks are trademarks or registered trademarks of Olympus Corporation, in Japan, the United States, the European Union and other countries.
- Four Thirds™ and Four Thirds Logo marks are trademarks or registered trademarks of Olympus Corporation, in Japan, the United States, the European Union and other countries.
- G MICRO SYSTEM is an interchangeable lens type digital camera system of LUMIX based on a Micro Four Thirds System standard.
- Other names of systems and products mentioned in these instructions are usually the registered trademarks or trademarks of the manufacturers who developed the system or product concerned.

Precautions

■ Lens Care

• Sand and dust can damage the lens. Make sure that no sand or dust gets inside the lens or the terminals when using the lens on a beach, etc.

• The lens is neither waterproof nor splash-proof. If drops of water get onto the lens, wipe the lens with a dry cloth.

• Do not press the lens with excessive force.

• When there is dirt (water, oil, and fingerprints, etc.) on the surface of the lens, the picture may be affected. Lightly wipe the surface of the lens with a soft, dry cloth before and after taking pictures.

• Do not place the lens mount facing downwards. Do not allow the lens contact points ① to become dirty.

(See illustration **A**)

■ About Condensation (Fogging of the Lens)

Condensation occurs when there are differences in temperature and humidity as described below. Condensation can cause the lens to become dirty and lead to mold and malfunctioning, so exercise caution in the following situations:

- When the camera is brought indoors from outside during cold weather
- When the camera is brought into an air-conditioned car
- When cold air from an air conditioner is directly blown onto the lens
- In humid places

 Put the camera into a plastic bag to allow it to acclimatize to the surrounding temperature in order to prevent condensation. If condensation occurs, turn the power off and leave it for about two hours. Once the camera acclimatizes to the surrounding temperature the condensation will go away naturally.

B Supplied Accessories

[Inspection to be performed when you unpack the unit]
When removing the unit from its packing box, check that the main unit and the supplied accessories are there and also check their external appearance and functions to verify that they have not sustained any damage during distribution and transportation. If you discover any trouble, contact your vendor before using the product.

Product numbers correct as of September 2014. These may be subject to change.

- 1 Lens Hood
①: Black, ②: Silver
- 2 Lens Cap
- 3 Lens Rear Cap
(The lens rear cap and lens cap are attached to the interchangeable lens at the time of purchase.)

C Names and Functions of Components

- 1 Lens surface
- 2 Focus ring
Rotate to focus when taking pictures with manual focus (MF).
- 3 Zoom ring
Rotate the zoom ring when you wish to take large (tele) or wide (wide angle) pictures. (35 mm film camera equivalent: 70 mm to 200 mm)
- 4 Lens fitting mark
- 5 Contact points

● Note

- When flash recording with a close subject, the light of the flash will be blocked by the lens and part of the picture may be dark. Check the distance from the subject when recording.
- If you zoom after focusing, focusing errors may occur. After zooming, please perform the focusing again.

D Attaching/Detaching the Lens

- Refer also to the camera's operating instructions for attaching and detaching the lens.
- Check that the camera is turned off.
- Remove the lens rear cap from the lens. (See illustration **1**)
- Attach and remove the lens only when the lens barrel is retracted.

■ Attaching the Lens (See illustration **2**)

Align the lens fitting marks (A) on the camera body and the lens and then rotate the lens in the direction of the arrow until it clicks.

- Do not press the lens release button (B) when you attach a lens.
- Do not try to attach the lens when holding it at an angle to the camera body as the lens mount may get scratched.
- Check that the lens is attached correctly.

■ Detaching the Lens (See illustration **3**)

While pressing on the lens release button (B), rotate the lens toward the arrow until it stops and then remove.

- When rotating the lens, hold (C), the portion near the base of the lens.
- Attach the lens rear cap so that the lens contact point does not get scratched.
- Attach the body cap to the camera so no dirt or dust will get inside the main unit.

■ Attaching the Lens Hood (Supplied Accessory) (See illustration **4**)

Hold the lens hood with your fingers placed as shown in the picture (D).

- Do not hold the lens hood in a way that twists or bends it. (E)

- 1 Align the mark (F) on the short side of the lens hood with the mark on the tip of the lens.
- 2 Turn the lens hood in the direction of the arrow until it stops, and align the mark (G) on the long side of the lens hood with the mark on the tip of the lens.

■ Temporarily Storing the Lens Hood (See illustration **5**)

- 1 Turn the lens hood in the direction of the arrow to detach it. (H)
- 2 Align the mark (I) on the long side of the lens hood with the mark on the tip of the lens. (I)
- 3 Turn the lens hood in the direction of the arrow until it clicks into place. (J)

● Note

- When taking pictures with the flash with the lens hood attached, the lower portion of the screen may turn dark (vignetting effect) and the control of the flash may be disabled because the photo flash may be obscured by the lens hood. We recommend detaching the lens hood.
- When using the AF assist lamp in the dark, detach the lens hood.

E Recording Preparations and How to Retract the Lens

■ Recording Preparations

Rotate the zoom ring in the direction of arrow ① from position (A) (the lens is retracted) to position (B) (35 mm to 100 mm) to extend the lens.

- When the lens barrel is retracted, images cannot be recorded.
- Make sure to remove the lens cap.

■ How to Retract the Lens

Rotate the zoom ring in the direction of arrow ② from position (B) (35 mm to 100 mm) to position (A) to retract the lens.

- When you are not recording images, we recommend that you retract the lens.

■ Attaching Filters

- Vignetting may occur if using 2 or more MC protectors (optional: DMW-LMC46), PL filters (optional: DMW-LPL46) or ND filters (optional: DMW-LND46), or if using thick protectors and/or filters.
- The filter may become impossible to remove if excessively tightened, so please refrain from tightening it too strongly.
- It is possible to attach the lens cap with the filter already attached.
- When the lens hood is attached to this lens, you cannot attach a filter to it.
- You cannot attach a conversion lens or adaptor to this lens. A filter may be used, but attaching any other element may cause damage to the lens.

Cautions for Use

Take care not to drop or knock the lens. Also take care not to put a lot of pressure on the lens.

- Take care not to drop the bag that you inserted the lens in as it may strongly shock the lens. The camera may stop operating normally and pictures may no longer be recorded. Also, the lens may be damaged.

When using pesticides and other volatile substances around the camera make sure that they do not get onto the lens.

- If such substances get onto the lens they can damage the exterior case or cause the paint to peel.

Do not carry the unit when it is still attached to the camera body.

- Under no circumstances should the unit be stored in any of the following locations since doing so may cause problems in operation or malfunctioning.
 - In direct sunlight or on a beach in summer
 - In locations with high temperatures and humidity levels or where the changes in temperature and humidity are acute
 - In locations with high concentrations of sand, dust or dirt
 - Where there is fire
 - Near heaters, air conditioners or humidifiers
 - Where water may make the unit wet
 - Where there is vibration
 - Inside a vehicle

- Refer also to the operating instructions of the digital camera.
- When the unit is not going to be used for a prolonged period, we recommend storing with a desiccant (silica gel). Failure to do so may result in performance failure caused by mold, etc. It is recommended that you check the unit's operation prior to use.
- Do not leave the lens in contact with rubber or plastic products for extended periods of time.
- Do not touch the lens contact point. Doing so can cause failure of the unit.
- Do not disassemble or alter the unit.

Do not use benzine, thinner, alcohol or other similar cleaning agents to clean the lens glass or exterior cabinet.

- Using solvents can damage the lens or cause the paint to peel.
- Wipe off any dust or fingerprints with a soft, dry cloth.
- Use a dry, dust cloth to remove dirt and dust on the zoom ring and focus ring.
- Do not use a household detergent or a chemically treated cloth.

Troubleshooting

A sound is heard when the camera is turned on or off.

- This is the sound of lens or aperture movement and is not a malfunction.

When this lens is attached to digital camera, stabiliser function cannot be turned off or stabiliser function does not work.

- The Optical Image Stabiliser function of this lens only works correctly with supported cameras.
 - When older Panasonic digital cameras (DMC-GF1, DMC-GH1, DMC-G1) are used, [Stabilizer] in the [Rec] mode menu cannot be set to [OFF]. It is recommended to update the firmware of the digital camera at the following website. <http://panasonic.jp/support/global/cs/dsc/download/>
 - When using this lens with another make of digital cameras, contact the respective company about details.

Specifications

Specifications are subject to change without notice.

INTERCHANGEABLE LENS FOR DIGITAL CAMERA
"LUMIX G VARIO 35-100 mm/F4.0-5.6 ASPH./MEGA O.I.S."

FOCAL length	
F=35 mm to 100 mm (35 mm film camera equivalent: 70 mm to 200 mm)	
Aperture type	
7 diaphragm blades/circular aperture diaphragm	
Aperture range	
F4.0 (Wide) to F5.6 (Tele)	
Minimum aperture value	
F22	
Lens construction	
12 elements in 9 groups (1 aspherical lenses, 2 ED lenses)	
In focus distance	
0.9 m to ∞	
Maximum image magnification	
0.11× (35 mm film camera equivalent: 0.22×)	
Optical image stabiliser	
Available	
[I.S.] switch	
None (Setting of the [Stabilizer] is done in [Rec] mode menu by LUMIX digital cameras.)	
Mount	
"Micro Four Thirds Mount"	
Angle of view	
34° (Wide) to 12° (Tele)	
Filter diameter	
46 mm	
Max. diameter	
Approx. 55.5 mm	
Overall length	
Approx. 50 mm (from the tip of the lens to the base side of the lens mount when the lens barrel is retracted)	
Mass	
Approx. 135 g	

DEUTSCH

Bitte lesen Sie diese Anleitung vor der Inbetriebnahme dieses Produkts aufmerksam durch, und bewahren Sie dieses Handbuch für spätere Bezugnahme griffbereit auf.

-Bedeutung des nachstehend abgebildeten Symbols-

Entsorgung von Altgeräten und Batterien
Nur für die Europäische Union und Länder mit Recyclingsystemen

Dieses Symbol auf den Produkten, der Verpackung und/oder den Begleitdokumenten bedeutet, dass gebrauchte elektrische und elektronische Produkte sowie Batterien nicht in den allgemeinen Hausmüll gegeben werden dürfen. Bitte führen Sie alle Produkte und verbrauchte Batterien zur Behandlung, Aufarbeitung bzw. zum Recycling gemäß den gesetzlichen Bestimmungen den zuständigen Sammelpunkten zu. Zusätzlich ist die Rückgabe unter bestimmten Voraussetzungen auch bei Vertriebern (Verkaufsstelle für Elektro- und Elektronikgeräte von mindestens 400 m² und Lebensmittelzeilnhändler, die über eine Gesamtverkaufsfläche von mindestens 800 m² verfügen und mehrmals im Kalenderjahr oder dauerhaft auch Elektro- und Elektronikgeräte anbieten und auf dem Markt bereitstellen) möglich. Die Rücknahme hat kostenlos beim Kauf eines gleichartigen Neugerätes zu erfolgen (1:1 Rücknahme). Unabhängig davon, gibt es die Möglichkeit, die Altgeräte kostenlos an den Verreiber zurückzugeben (0:1 Rücknahme; Abmessungen kleiner als 25 cm und weniger als drei Altgeräte).

Das Symbol auf dem Produkt, der Verpackung und/oder den Begleitdokumenten bedeutet, dass gebrauchte elektrische und elektronische Produkte sowie Batterien nicht in den allgemeinen Hausmüll gegeben werden dürfen. Bitte führen Sie alle Produkte und verbrauchte Batterien zur Behandlung, Aufarbeitung bzw. zum Recycling gemäß den gesetzlichen Bestimmungen den zuständigen Sammelpunkten zu. Zusätzlich ist die Rückgabe unter bestimmten Voraussetzungen auch bei Vertriebern (Verkaufsstelle für Elektro- und Elektronikgeräte von mindestens 400 m² und Lebensmittelzeilnhändler, die über eine Gesamtverkaufsfläche von mindestens 800 m² verfügen und mehrmals im Kalenderjahr oder dauerhaft auch Elektro- und Elektronikgeräte anbieten und auf dem Markt bereitstellen) möglich. Die Rücknahme hat kostenlos beim Kauf eines gleichartigen Neugerätes zu erfolgen (1:1 Rücknahme). Unabhängig davon, gibt es die Möglichkeit, die Altgeräte kostenlos an den Verreiber zurückzugeben (0:1 Rücknahme; Abmessungen kleiner als 25 cm und weniger als drei Altgeräte).

Vertreiber, die unter Verwendung von Fernkommunikationsmitteln ihre Produkte verkaufen, sind zur Rücknahme von Altgeräten verpflichtet, wenn die Lager- und Versandflächen für Elektro- und Elektronikgeräte mindestens 400 m² betragen.

Onlineverzeichnis der Sammel- und Rücknahmestellen:
<https://www.eur-system.de/eur-verzeichnis/sammel-und-ruecknahmestellen>

Enthalten die Produkte Batterien und Akkus oder Lampen, die aus dem Altgerät zerstörungsfrei entnommen werden können, sind Sie als Endnutzer gesetzlich dazu verpflichtet, diese vor der Entsorgung zu entnehmen und getrennt als Batterie bzw. Lampe zu entsorgen. Batterien können zusätzlich im Handelsgeschäft unentgeltlich zurückgegeben werden. Indem Sie diese Produkte und Batterien ordnungsgemäß entsorgen, helfen Sie dabei, wertvolle Ressourcen zu schützen und eventuelle negative Auswirkungen, insbesondere beim Umgang mit lithiumhaltigen Batterien, auf die menschliche Gesundheit und die Umwelt zu vermeiden. Für mehr Informationen zu Sammlung und Recycling, wenden Sie sich bitte an Ihren örtlichen Abfallentsorgungsdienstleister. Gemäß Landesvorschriften können wegen nicht ordnungsgemäßer Entsorgung diese Abfallsicht Strafgefahr verhängt werden.

Datenschutz

Wir weisen alle Endnutzer von Elektro- und Elektronikgeräten darauf hin, dass Sie für das Löschen personenbezogener Daten auf den zu entsorgenden Altgeräten selbst verantwortlich sind.



Hinweis für das Batteriesymbol (Symbol unten):
Dieses Symbol kann in Kombination mit einem chemischen Symbol abgebildet sein. In diesem Fall erfüllt dieses auf Grund der Anforderungen derjenigen Richtlinien, die für die betreffende Chemikalie erlassen wurden.

Informationen für Ihre Sicherheit

Halten Sie das Gerät so weit wie möglich von Geräten und Einrichtungen fern, die elektromagnetische Felder erzeugen (wie Mikrowellengeräte, Fernsehergeräte, Videospielgeräte, Funksender, Hochspannungsleitungen usw.).

- Verwenden Sie die Kamera nicht in der Nähe von Mobiltelefonen. Es könnten sonst Bild- und Tonstörungen auftreten.
- Wenn die Kamera durch elektromagnetische Felder anderer Geräte gestört wird und Fehlfunktionen auftreten, schalten Sie die Kamera aus. Nehmen Sie den Akku heraus und/oder trennen Sie das Netzadapter ab. Setzen Sie den Akku dann wieder ein und/oder stecken Sie das Netzadapter wieder ein und schalten Sie die Kamera ein.

Das Objektiv kann mit Digitalkameras verwendet werden, deren Objektivfassung mit dem "Micro Four Thirds™ System"-Standard kompatibel ist.

- Objektive dieser Ausführung lassen sich nicht auf Kameras mit Four-Thirds™-Bajonett aufsetzen.
- Die Erläuterungen zur Digitalkamera in dieser Bedienungsanleitung beziehen sich als ein Beispiel auf DMC-GM5.
- Ausstattung und technische Daten der von Ihnen erworbenen Produkte können aufgrund technischer Weiterentwicklungen von der Ausstattung und den technischen Daten der in diesem Handbuch beschriebenen Produkte abweichen.
- Micro Four Thirds™ und die für Micro Four Thirds verwendeten Logos sind Markenzeichen oder eingetragene Markenzeichen der Olympus Corporation in Japan, den USA, der EU und anderen Ländern.
- Four Thirds™ und die für Four Thirds verwendeten Logos sind Markenzeichen oder eingetragene Markenzeichen der Olympus Corporation in Japan, den USA, der EU und anderen Ländern.
- Das G MICRO SYSTEM ist ein Digitalkamerasystem aus der LUMIX-Reihe mit Wechselobjektiven auf Grundlage des Micro-Four-Thirds-Standards.
- Andere Namen von Systemen oder Produkten welche in dieser Bedienungsanleitung genannt werden, sind normalerweise Warenzeichen oder eingetragene Warenzeichen der Hersteller dieser Produkte oder Systeme.

Vermeidung von Störungen

- Objektivpflege**
- Sand und Staub können das Objektiv beschädigen. Achten Sie darauf, dass kein Sand oder Staub auf Objektiv oder Anschlüsse gelangt, wenn Sie die Kamera im Freien, z.B. am Strand, verwenden.**
- Das Objektiv ist weder wasser- noch spritzwasserdicht. Wenn Regenwasser oder anderes Wasser auf das Objektiv spritzt, wischen Sie es mit einem trockenen Tuch ab.**
- Üben Sie keinen zu starken Druck auf das Objektiv aus.
- Schmutz auf dem Objektiv (Wasser, Öl, Fingerabdrücke usw.) kann zu schlechteren Bildern führen. Wischen Sie die Objektivoberfläche vor und nach dem Fotografieren vorsichtig mit einem weichen, trockenen Tuch ab.
- Richten Sie die Objektivfassung nicht nach unten. Achten Sie darauf, dass der Kontaktpunkt der Objektivfassung ① nicht verschmutzen. (Siehe Abbildung **A**)

■ Hinweise zu Kondensation (Beschlagen des Objektivs)

- Kondensation entsteht, wenn sich Umgebungstemperatur oder Luftfeuchte wie unten beschrieben ändern. Da Kondensation zu Flecken auf dem Objektiv, Platzbefall und Fehlfunktionen führen kann, müssen Sie in folgenden Fällen auf Anzeichen von Kondensation achten:
 - Die Kamera wird bei kaltem Wetter von draußen nach drinnen gebracht
 - Die Kamera wird in ein klimatisiertes Auto gebracht
 - Eine Klimaanlage bläst kalte Luft direkt auf das Objektiv
 - Die Kamera wird bei hoher Luftfeuchte verwendet
- Sie vermeiden Kondensation, wenn Sie die Kamera in einer geschlossenen Plastiktüte transportieren und diese erst dann öffnen, wenn sich die Kamera an die Umgebungstemperatur angepasst hat. Wenn sich Kondensation bildet, schalten Sie die Kamera aus und lassen Sie sie für etwa zwei Stunden ausgeschaltet. Die Kondensation baut sich während der Anpassung der Kamera an die Umgebung auf natürlichem Wege ab.

■ Hinweise zu Kondensation (Beschlagen des Objektivs)

- Kondensation entsteht, wenn sich Umgebungstemperatur oder Luftfeuchte wie unten beschrieben ändern. Da Kondensation zu Flecken auf dem Objektiv, Platzbefall und Fehlfunktionen führen kann, müssen Sie in folgenden Fällen auf Anzeichen von Kondensation achten:
 - Die Kamera wird bei kaltem Wetter von draußen nach drinnen gebracht
 - Die Kamera wird in ein klimatisiertes Auto gebracht
 - Eine Klimaanlage bläst kalte Luft direkt auf das Objektiv
 - Die Kamera wird bei hoher Luftfeuchte verwendet
- Sie vermeiden Kondensation, wenn Sie die Kamera in einer geschlossenen Plastiktüte transportieren und diese erst dann öffnen, wenn sich die Kamera an die Umgebungstemperatur angepasst hat. Wenn sich Kondensation bildet, schalten Sie die Kamera aus und lassen Sie sie für etwa zwei Stunden ausgeschaltet. Die Kondensation baut sich während der Anpassung der Kamera an die Umgebung auf natürlichem Wege ab.

B Beiliegendes Zubehör

[Kontrollen, die beim Entfernen der Verpackung des Geräts vorzunehmen sind]
Prüfen Sie beim Entnehmen des Gerätes aus seinem Karton, ob das Hauptgerät und sein beiliegendes Zubehör vorhanden sind. Kontrollieren Sie deren äußeres Aussehen und ihre Funktionsweise, um zu prüfen, dass es während des Vertriebs und Transports nicht zu Beschädigungen gekommen ist. Setzen Sie sich, sollten Sie Störungen feststellen, vor dem Gebrauch des Gerätes mit Ihrem Händler in Verbindung.

Produktnummern Stand September 2014. Änderungen bleiben vorbehalten.

- 1 Gegenlichtblende
①: Schwarz, ②: Silber
- 2 Objektivdeckel
- 3 Hinterer Objektivdeckel
(Beim Kauf sind der hintere Objektivdeckel und der Objektivdeckel auf das Wechselobjektiv aufgesetzt.)

C Bezeichnungen und Funktionen der einzelnen Kamerateile

- 1 Linsenfläche
- 2 Schärfenering
Drehen Sie auf Fokus, wenn Sie Bilder mit dem manuellen Fokus (MF) aufnehmen.
- 3 Zoomring
Drehen Sie am Zoomring, wenn Sie Aufnahmen mit Tele oder Aufnahmen mit Weitwinkel machen möchten. (Kleinbild-Äquivalent: 70 mm bis 200 mm)
- 4 Markierung zum Ansetzen des Objektivs
- 5 Kontaktpunkt

● Hinweis

- Wenn Sie ein Motiv nah an der Kamera mit Blitz aufnehmen, blockiert das Objektiv das Licht vom Blitz, so dass Teile des Bildes dunkel werden können. Achten Sie bei diesen Aufnahmen daher auf ausreichenden Abstand zum Motiv.
- Wenn Sie nach dem Fokussieren den Zoom verwenden, kann es zu Fokussierungsproblemen kommen. Bitte stellen Sie nach dem Zoomvorgang erneut scharf.

D Objektiv ansetzen/abnehmen

- Informationen zum Aufsetzen und Abnehmen des Objektivs finden Sie auch in der Bedienungsanleitung der Kamera.
- Stellen Sie sicher, dass die Kamera ausgeschaltet ist.
- Entfernen Sie den hinteren Objektivdeckel vom Objektiv. (Siehe Abbildung **1**)

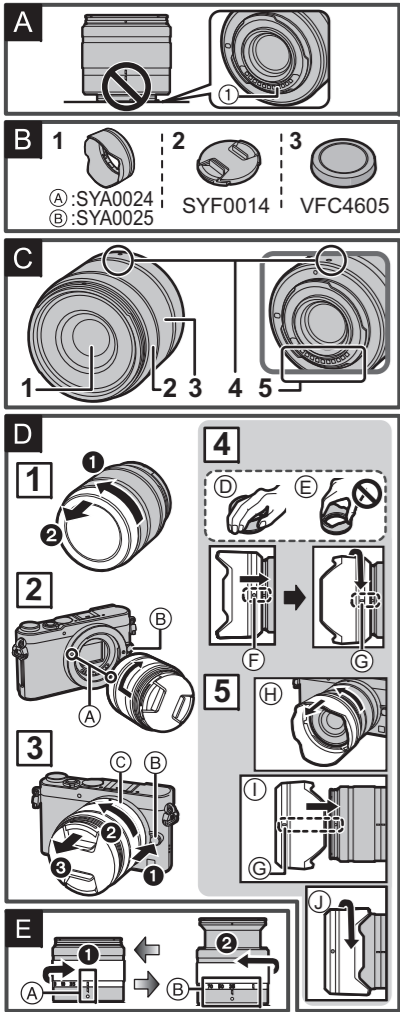
■ Das Objektiv aufsetzen (Siehe Abbildung **2**)

Richten Sie die roten Markierungen (A) zum Ansetzen des Objektivs auf Kameragehäuse und Objektiv aneinander aus und drehen Sie das Objektiv in Pfeilrichtung, bis es hörbar einrastet.

- Drücken Sie nicht die Objektivfreigabetaste (B) wenn Sie ein Objektiv anschließen.
- Versuchen Sie niemals, das Objektiv schräg zum Gehäuse anzusetzen, da die Objektivfassung beschädigt werden könnte.
- Überprüfen Sie, ob das Objektiv richtig aufgesetzt ist.

■ Das Objektiv abnehmen (Siehe Abbildung **3**)

Drehen Sie beim Betätigen der Objektivfreigabetaste (B) das Objektiv in Pfeilrichtung bis zum Anschlag und entfernen Sie es.



Précautions

Entretien de l'objectif

- Le **sable** et la **poussière** peuvent endommager l'objectif. Aussi, **conviend-t-il de protéger et l'objectif et les contacts de la monture contre toute infiltration de sable et de poussière** lorsque l'appareil est utilisé à la plage, etc.
- L'**objectif n'est ni étanche ni à l'épreuve des éclaboussures**. Si des gouttes d'eau l'éclaboussaient, **essuyez l'objectif avec un linge sec**.
- N'appuyez pas avec force sur l'objectif.
- Lorsqu'il a des salissures (eau, huile, traces de doigts, etc.) sur la surface de l'objectif, cela peut avoir une incidence sur l'image. **Essuyez légèrement la surface de l'objectif avec un chiffon sec et doux avant et après la prise de photos**.
- Ne posez pas l'objectif côté monture vers le bas. Point de contact ① de la monture de l'objectif restent toujours propres. (Voir illustration **A**)

À propos de la condensation (Objectif embué)

- Il y a formation de condensation lorsque la température et l'humidité changent comme suit. La condensation peut salir l'objectif, entraîner de la moisissure et des problèmes de fonctionnement. Aussi, est-il important de prendre des précautions dans les circonstances suivantes:
 - Lorsque l'appareil est transporté de l'extérieur à l'intérieur par temps froid
 - Lorsque l'appareil est placé dans un véhicule climatisé
 - Lorsque l'air frais d'un climatiseur arrive directement sur l'objectif
 - Lorsque l'appareil est utilisé ou placé dans un endroit humide
- Gardez l'appareil photo à l'intérieur d'un sac en plastique jusqu'à ce que la température de celui-ci soit la plus près possible de celle de la température ambiante afin d'éviter la condensation. En cas de condensation, éteignez l'appareil photo et laissez-le ainsi pendant environ 2 heures. Lorsque la température de l'appareil photo se rapproche de celle ambiante, la buée disparaît naturellement.

Accessoires fournis

[La vérification doit être effectuée lorsque vous sortez l'appareil de l'emballage]

En retirant l'appareil de son emballage, vérifiez la présence de l'appareil principal et de tous ses accessoires, et vérifiez également l'apparence externe ainsi que leur fonction afin de vous assurer qu'ils n'ont subi aucun dommage lors du transport ou de la livraison. Si vous découvrez un problème, contactez votre vendeur avant d'utiliser le produit.

Les codes des produits sont corrects à compter de septembre 2014. Ceux-ci sont susceptibles d'être modifiés.

1 Parasoleil

Ⓐ : Noir, Ⓑ : Argent

2 Capuchon d'objectif

3 Capuchon arrière de l'objectif

(Le capuchon arrière de l'objectif et le capuchon d'objectif sont fixés à l'objectif interchangeable au moment de l'achat.)

C Noms et fonctions des composants

1 Surface de l'objectif

2 Bague de mise au point

Tournez la mise au point pour prendre des photos avec la mise au Point Manuelle (MF).

3 Bague de zoom

Tournez la bague de réglage du zoom pour une prise de vue rapprochée (téléobjectif) ou à grand-angle. (Équivalent à un film de 35 mm: 70 mm à 200 mm)

4 Repère pour la mise en place de l'objectif

5 Point de contact

Note

- En enregistrant un sujet proche avec le flash, la lumière du flash peut être bloquée par l'objectif et une partie de la photo peut être sombre. Vérifiez la distance du sujet en enregistrant.
- Si vous zoomez après avoir fait la mise au point, une erreur de mise au point peut survenir. Après avoir zoomé, veuillez refaire la mise au point.

D Fixation/Retrait de l'objectif

- Pour les instructions sur la mise en place et le retrait de l'objectif, reportez-vous au manuel d'utilisateur de l'appareil photo.
- Vérifiez que l'appareil photo est éteint.
- Retirez le capuchon d'objectif arrière de l'objectif. (Voir illustration **1**)

- Installez ou retirez l'objectif uniquement lorsque le barillet de l'objectif est rétracté.

Mise en place de l'objectif (Voir illustration **2**)

- Alignez les repères** pour la mise en place de l'objectif **(A)** sur le boîtier de l'appareil photo et sur l'objectif, puis tournez l'objectif dans le sens de la flèche jusqu'à ce que vous entendiez un déclic.
 - N'appuyez pas sur la touche de relâche de l'objectif **(B)** lorsque vous installez un objectif.
 - N'essayez pas de fixer l'objectif lorsque vous le tenez en angle par rapport au boîtier, car la monture de l'objectif risquerait d'être éraflée.
 - Vérifiez que l'objectif est fixé correctement.
- Retrait de l'objectif (Voir illustration **3**)**

Tout en appuyant sur la touche de déverrouillage de l'objectif (B), tournez l'objectif dans le sens de la flèche jusqu'à ce qu'il s'arrête puis retirez-le.

- Pour tourner l'objectif, tenez **(C)**, la partie près de la base de l'objectif.
- Fixez le capuchon arrière de l'objectif afin que les contacts de la monture de l'objectif ne soient pas rayés.
- Fixez le capuchon sur la monture d'objectif de manière à prévenir toute infiltration de poussière dans l'appareil.

Fixation du parasoleil (Fourni) (Voir illustration **4**)

Tenez le parasoleil avec vos doigts placés comme montré sur l'image. (Ⓓ)

- Alignez le repère (F) sur le côté court du parasoleil avec le repère à l'extrémité de l'objectif.**
- Tournez le parasoleil dans le sens de la flèche jusqu'à ce qu'il s'arrête, et alignez le repère (G) sur le côté long du parasoleil avec le repère à l'extrémité de l'objectif.**

Rangement temporaire du parasoleil (Voir illustration **5**)

- Tournez le parasoleil dans le sens de la flèche pour le retirer.** (Ⓔ)

2 Alignez le repère (G) sur le côté long du parasoleil avec le repère à l'extrémité de l'objectif. (Ⓘ)

3 Tournez le parasoleil dans le sens de la flèche jusqu'à ce qu'il s'enclenche. (Ⓚ)

Note

- Lorsque vous prenez des photos avec le flash et que le parasoleil est monté, la partie inférieure de l'écran peut s'assombrir (effet de vignettage) et le contrôle du flash peut être empêché car l'éclair du flash peut être obscurci par le parasoleil. Nous vous recommandons de retirer le parasoleil.
- Lorsque vous utilisez la lampe d'assistance de mise au point automatique dans l'obscurité, retirez le parasoleil.

E Préparatifs de l'enregistrement et Comment rétracter l'objectif

Préparatifs de l'enregistrement

Tournez la bague du zoom dans la direction indiquée par la flèche (1) de la position (A) (l'objectif est rétracté) vers la position (B) (35 mm à 100 mm) pour déployer l'objectif.

- Lorsque le barillet de l'objectif est rétracté, les images ne peuvent pas être enregistrées.
- Assurez-vous d'avoir retiré le capuchon d'objectif.

Comment rétracter l'objectif

Tournez la bague du zoom dans la direction indiquée par la flèche (2) de la position (B) (35 mm à 100 mm) vers la position (A) pour rétracter l'objectif.

- Lorsque vous ne prenez pas de photos, nous vous conseillons de rétracter l'objectif.

Fixation de filtres

- Un effet de vignettage peut survenir en utilisant 2 protecteurs MC ou plus (en option: DMW-LMC46), filtres PL (en option: DMW-LPL46) ou filtres ND (en option: DMW-LND46), ou en utilisant des protecteurs et/ou des filtres épais.
- L'ordre peut être impossible à retirer s'il est trop serré, veuillez donc éviter de le faire.
- Il est possible de fixer le capuchon d'objectif avec le filtre déjà en place.
- Lorsque le parasoleil est installé sur cet objectif, vous ne pouvez pas y mettre de filtre.
- Vous ne pouvez pas installer de convertisseur d'objectif ou d'adaptateur sur cet objectif. Un filtre peut être utilisé, mais installer un autre élément peut causer des dommages à l'objectif.

Précautions d'utilisation

Prenez soin de ne pas faire tomber ni de cogner l'objectif. De plus ne mettez pas trop de pression dessus.

- Attention à ne pas faire tomber le sac où se trouve l'objectif, car celui-ci pourrait être endommagé. L'appareil photo pourrait ne plus marcher normalement et les images ne seraient plus enregistrées.

Si des pesticides ou toute autre substance volatile sont utilisés près de l'appareil, veuillez protéger l'objectif contre toute éclaboussure ou vaporisation.

- Si de telles substances atteignent l'objectif, celui-ci pourrait être endommagé, ou la peinture pourrait s'écailler.

Ne transportez pas l'objectif s'il est encore fixé sur l'appareil photo.

- En certaines circonstances vous ne devez ranger l'objectif dans les endroits indiqués ci-dessous car cela pourrait causer des problèmes d'utilisation ou de mauvais fonctionnement.
 - À la lumière directe du soleil ou sur la plage en été
 - Dans des endroits ayant des niveaux de température et d'humidité élevés ou dans des endroits où les changements de température et d'humidité sont prononcés
 - Dans des endroits ayant une forte concentration de sable, de poussière ou de saleté
 - Out il y a du feu
 - Près de radiateurs, climatiseurs, humidificateurs
 - Où l'eau pourrait mouiller l'objectif
 - Où il y a des vibrations
 - À l'intérieur d'un véhicule

- Reportez-vous également au manuel d'utilisation de l'appareil photo.
- Si l'appareil ne doit plus être utilisé pendant une période prolongée, nous vous conseillons de le ranger avec un produit déshydratant (gel de silice). Tout manquement à cela pourrait provoquer une panne causée par la moisissure etc. Nous vous conseillons de vérifier le fonctionnement de l'objectif avant de l'utiliser.

- Évitez que l'objectif ne soit en contact avec des produits en plastique ou en caoutchouc pendant une longue période.
- Ne touchez pas les contacts électroniques de l'objectif. Ceci pourrait causer un mauvais fonctionnement de l'objectif.
- Ne désassemblez ni ne tentez de modifier l'objectif.

N'utilisez pas de benzène, d'alcool ni aucun autre produit nettoyant similaire pour nettoyer l'appareil.

- L'emploi de solvants peut endommager l'objectif ou faire s'écailler la peinture.
- Essuyez toute poussière ou traces de doigts avec un chiffon doux et sec.
- Utilisez un chiffon poussiéreux sec pour enlever la saleté et la poussière présentes sur la bague de zoom et la bague de mise au point.
- N'utilisez pas de détergent de cuisine ou de linge chimique.

Dépannage

Un bruit se fait entendre à la mise en marche et hors marche de l'appareil photo.

- Il s'agit du bruit de l'objectif ou du mouvement de l'ouverture et ce n'est pas un défaut de fonctionnement.

La fonction de stabilisation ne peut être mise hors marche ou la fonction de stabilisation ne fonctionne pas lorsque cet objectif est fixé à l'appareil photo numérique.

- La fonction de stabilisation optique de l'image ne fonctionne correctement qu'avec des appareils photo numériques pris en charge.
 - Lors de l'utilisation d'appareils photo numériques Panasonic de modèles antérieurs (DMC-GF1, DMC-GH1 ou DMC-G1), [Stabilisat.] dans le menu du mode [Enr.] ne peut être réglé sur [NON]. Il est recommandé d'effectuer la mise à jour du micrologiciel de l'appareil photo numérique en visitant le site internet suivant: <http://panasonic.jp/support/global/cs/dsc/download/>
 - Pour utiliser cet objectif avec une autre marque d'appareils photo numériques, contactez la compagnie correspondante pour avoir des informations.

Spécifications

Ces caractéristiques peuvent subir des changements sans avis préalable.

OBJECTIF INTERCHANGEABLE POUR APPAREIL PHOTO NUMÉRIQUE

"LUMIX G VARIO 35–100 mm/F4.0–5.6 ASPH./MEGA O.I.S."

Distance focale	f=35 mm à 100 mm (Équivalent à un film de 35 mm: 70 mm à 200 mm)
Type d'ouverture	7 lamelles de diaphragme/diaphragme à ouverture ronde
Plage d'ouverture	F4.0 (Grand-angle) à F5.6 (Téléobjectif)

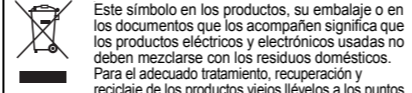
Valeur d'ouverture minimum	F22
Composition de l'objectif	12 éléments en 9 groupes (1 lentilles asphériques, 2 lentilles ED)
Distance de mise au point	0,9 m à ∞
Grossissement maximum de l'image	0,11× (Équivalent à un film de 35 mm: 0,22×)
Stabilisateur optique de l'image	Disponible
Commutateur [O.I.S.]	Aucun (Le réglage de [Stabilisat.] s'effectue dans le menu du mode [Enr.] d'un appareil photo numérique LUMIX.)
Monture	"Micro Four Thirds Mount"
Angle de vue	34° (Grand-angle) à 12° (Téléobjectif)
Diamètre de filtre	46 mm
Diamètre maximum	Environ 55,5 mm
Longueur totale	Environ 50 mm (du bout de l'objectif à la base de montage de l'objectif lorsque le barillet de l'objectif est rentré)
Poids	Environ 135 g

ESPAÑOL

Lea cuidadosamente estas instrucciones antes de usar este producto, y guarde este manual para usarlo en el futuro.

-Si ve este símbolo-

Eliminación de Aparatos Viejos Solamente para la Unión Europea y países con sistemas de reciclado



Este símbolo en los productos, su embalaje o en los documentos que los acompañan significa que los productos eléctricos y electrónicos usados no deben mezclarse con los residuos domésticos. Para el adecuado tratamiento, recuperación y reciclaje de los productos viejos llévelos a los puntos de recogida de acuerdo con su legislación nacional. Si los elimina correctamente ayudará a preservar valiosos recursos y evitará potenciales efectos negativos sobre la salud de las personas y sobre el medio ambiente. Para más información sobre la recogida u reciclaje, por favor contacte con su ayuntamiento. Puede haber sanciones por una incorrecta eliminación de este residuo, de acuerdo con la legislación nacional.

Información para su seguridad

Mantenga la unidad lo más lejos que sea posible de equipos electromagnéticos (como hornos de microondas, televisores, video juegos, transmisores radio, líneas de alto voltaje, etc.). No utilice la cámara cerca de teléfonos móviles, ya que lo de hacerlo puede producir ruido que afectará negativamente a las imágenes y el sonido. Si la cámara queda afectada negativamente por un equipo electromagnético y deja de funcionar correctamente, apague la cámara y quite la batería y/o el adaptador de CA conectado. Luego vuelva a insertar la batería y/o vuelva a conectar el adaptador de CA y encienda la cámara.

- El objetivo puede usarse con una cámara digital compatible con el estándar de montaje de objetivos del "Micro Four Thirds™ System".
- No se puede montar en una cámara con estándar de soporte Four Thirds™.
- Las figuras de la cámara digital en estas instrucciones de funcionamiento muestran la DMC-GM5 en concepto de ejemplo. E aspecto y las especificaciones de los productos descritos en este manual pueden diferir de los productos reales que usted ha comprado debido a aumentos sucesivos.
- El logotipo Micro Four Thirds™ y Micro Four Thirds son marcas comerciales o marcas comerciales registradas de Olympus Corporation, en Japón, Estados Unidos, la Unión Europea y otros países.
- El logotipo Four Thirds™ y Four Thirds son marcas comerciales o marcas comerciales registradas de Olympus Corporation, en Japón, Estados Unidos, la Unión Europea y otros países.
- G MICRO SYSTEM es un sistema de cámara digital con objetivo intercambiable de LUMIX basado en el estándar Micro Four Thirds System.
- Los nombres de los sistemas y productos que se mencionan en estas instrucciones generalmente son marcas comerciales registradas o marcas comerciales de los fabricantes que desarrollaron el sistema o producto en cuestión.

Prevención contra las averías

Atención del objetivo

- La arena y el polvo pueden dañar el objetivo. Cuando usa el objetivo en una playa, tenga cuidado de que ni arena ni polvo entren en el interior del objetivo o los terminales, etc.
- El objetivo no es impermeable ni a prueba de salpicaduras. Si caen gotas de agua en el objetivo, límpielo con un paño seco.
 - No ejerce demasiada presión en el objetivo.
 - Cuando hay suciedad (agua, aceite, huellas dactilares, etc.) en la superficie del objetivo, la imagen puede salir afectada. Limpie ligeramente con un paño blando y seco antes y después de tomar las imágenes.
- No meta el soporte del objetivo mirando hacia abajo. No deje que se ensucien los punto de contacto **(1)**. (Ver ilustración **A**)

Acerca de la condensation (Empañamiento del objetivo)

- La condensation ocurre cuando se encuentra una diferencia en la temperatura y humedad como se describe abajo. La condensation puede hacer ensuciar el objetivo y producir hongos y un funcionamiento defectuoso, por lo tanto ponga cuidado en las situaciones a continuación:
 - Cuando lleva la cámara en casa desde el aire libre durante un tiempo frío
 - Cuando lleva la cámara dentro de un coche con aire acondicionado
 - Cuando sopla en el objetivo aire frío desde un acondicionador de aire
 - En lugares húmedos
- Para impedir la condensación, meta la cámara en una bolsa de plástico para que se aclimate a la temperatura ambiente. Si ocurre condensación, apague la alimentación y la deje así durante dos horas. Una vez que la cámara se haya aclimatado a la temperatura ambiente en empañamiento desaparece naturalmente.

B Accesorios suministrados

[Controles a realizar cuando va a desembalar la unidad]

Al quitar la unidad de su embalaje, compruebe que se encuentren la unidad principal y los accesorios suministrados. Además compruebe el aspecto externo y las funciones para verificar que no haya padecidos daños durante la distribución y el transporte. Por si encuentra un cualquier problema, antes de usar el producto llame a su comerciante.

Números de productos correctos a partir de septiembre de 2014. Estos pueden estar sujetos a modificaciones.

1 Visera del objetivo

Ⓐ: Negro, Ⓑ: Plateado

2 Tapa del objetivo

3 Tapa trasera del objetivo

(La tapa trasera del objetivo y la tapa del objetivo intercambiable al momento de la compra.)

C Nombres y funciones de los componentes

1 Superficie del objetivo

2 Anillo del enfoque

Gire para enfocar cuando tome fotografías con el enfoque manual (MF).

3 Anillo del zoom

Gire el anillo del zoom cuando quiere tomar imágenes grandes (teleobjetivo) o anchas (granangular). (Igual a una cámara de película de 35 mm: de 70 mm a 200 mm)

4 Marca para ajustar el objetivo

5 Punto de contacto

Note

- Cuando graba usando el flash estando cerca del sujeto, la luz del flash será bloqueada por el objetivo y parte de la imagen puede quedar oscura. Compruebe la distancia desde el sujeto cuando graba.
- Si hace zoom después de hacer enfoque, pueden ocurrir errores de enfoque. Luego de hacer zoom, realice de nuevo el enfoque.

D Unir y quitar el objetivo

- Se refiera también a las instrucciones de funcionamiento de la cámara para unir y separar el objetivo.
- Compruebe que la cámara esté apagada.
- Saque la tapa trasera de la lente. (Ver ilustración **1**)

- Coloque y retire el lente solamente cuando el cilindro del objetivo está retraído.

Unión del objetivo (Ver ilustración **2**)

- Alinee las marcas para ajustar el objetivo **(A)** ubicadas en el cuerpo de la cámara y el mismo objetivo, luego gire éste en la dirección de la fecha hasta que despare.
 - No presione el botón de liberación de la lente **(B)** cuando coloca una lente.
 - Como el soporte del objetivo podría salir rayado, no trate de unir el objetivo a la cámara manteniéndolo de ángulo.
 - Compruebe que el objetivo esté unido correctamente.

Separación del objetivo (Ver ilustración **3**)

Mientras presiona el botón de liberación de la lente (B), gire la lente hacia la fecha hasta que se detenga y luego retirela.

- Al girar el lente, sostenga **(C)**, la porción cercana a la base del lente.
- Una la tapa trasera de manera que el punto de contacto del objetivo no salga rayado.
- Una la tapa del cuerpo a la cámara para que ni suciedad ni polvo entren dentro de la unidad principal.

Unión de la visera del objetivo (Accesorio suministrado) (Ver ilustración **4**)

Sostenga la cubierta de la lente con sus dedos colocados como se muestra en la imagen. (Ⓓ)

- No sostenga la cubierta de la lente de forma que pueda doblarla o torcerla. (Ⓔ)

1 Alinee la marca (E) en el lado corto de la visera de la lente con la marca en la punta de la lente.

2 Gire la visera de la lente en la dirección de la fecha hasta que se detenga y alinee la marca (C) en el lado largo de la visera de la lente con la marca en la punta de la lente.

Almacenamiento temporal de la visera del objetivo (Ver ilustración **5**)

Gire la visera del objetivo en la dirección de la fecha para quitarla. (Ⓔ)

Alinee la marca (C) en el lado largo de la visera de la lente con la marca en la punta de la lente. (Ⓚ)

Gire la visera de la lente en la dirección de la fecha hasta que se encaje en su posición. (Ⓚ)

Note

- Cuando toma las imágenes con el flash y tiene unida la visera del objetivo, la porción inferior de la pantalla podría ponerse oscura (efecto de viñeteado) y el control del flash podría inhabilitarse debido a que éste podría ser oscurecido por la misma visera. Le recomendamos que quite dicha visera.
- Cuando usa la lámpara de ayuda AF en la oscuridad, quite la visera del objetivo.

E Preparación para grabar y modo de retraer el lente

Preparación para grabar

Gire el aro del zoom en la dirección que marca la flecha (1) desde la posición (A) (el lente está retraído) hasta la posición (B) (de 35 mm a 100 mm) para extender el lente.

- Cuando el cilindro del lente está retraído, las imágenes no pueden grabarse.
- Asegúrese de quitar la tapa del lente.

Cómo retraer el lente

Gire el aro del zoom en la dirección que marca la flecha (2) desde la posición (B) (de 35 mm a 100 mm) hasta la posición (A) para retraer el lente.

- Cuando no esté grabando imágenes, le recomendamos retraer el lente.

Unión de los filtros

- La viñetas pueden ocurrir si se usan 2 o más protectores MC (opcional: DMW-LMC46), filtros PL (opcional: DMW-LPL46) o filtros ND (opcional: DMW-LND46), o si se usan protectores o filtros gruesos.
- Tal vez sea imposible de retirar el filtro si está demasiado apretado, por lo que no debe apretarlo demasiado fuerte.
- Se puede colocar la tapa del objetivo con el filtro ya colocado.
- Cuando se conecta la visera de la lente a esta lente, no se puede conectar un filtro a la misma.
- No consigue acoplar un objetivo de conversión o adaptador a este objetivo. Puede usarse un filtro, pero acoplar cualquier otro elemento puede dañar el objetivo.

Precauciones para el uso

Tenga cuidado de no hacer caer el objetivo ni el choque contra. Asimismo tenga cuidado de no presionar demasiado.

- Tenga cuidado de no hacer caer la bolsa en la que cabe el objetivo. Este podría dañarse, la cámara podría dejar de funcionar normalmente y las imágenes ya podrían no grabarse.
- Cuando usa pesticidas y otras sustancias volátiles alrededor de la cámara tenga cuidado de que no entre en el objetivo.
- Si dichas sustancias caen en el objetivo, éstas pueden dañarlo o hacer desconchar su barniz.

No transporte la unidad si ésta está todavía unida al cuerpo de la cámara.

- De ninguna manera la unidad debe ser usada o almacenada en uno de los siguientes lugares ya que lo de hacerlo podría perjudicarla o producir un funcionamiento defectuoso.
 - Bajo la luz directa del sol o bien a lo largo de la costa durante el verano
 - En lugares donde haya altas temperaturas o altos niveles de humedad o bien donde sean repentinos los cambios de temperatura y humedad
 - En lugares donde haya altas concentraciones de arena, polvo o suciedad
 - Donde haya llamas
 - Cerca de calefactores, acondicionadores de aire o humidificadores
 - Donde el agua puede hacer mojar la unidad
 - Donde haya vibraciones
 - Dentro de un vehículo
- Se refiera también a las instrucciones de funcionamiento de la cámara digital.
 - Cuando no ha de ser usada la unidad por un período prolongado, le recomendamos guardar con un desecante (silicagel). El hecho de no hacerlo podría ocasionar una avería causada por el moho etc. Se recomienda que compruebe el funcionamiento de la unidad antes de usarla.
 - No deje el objetivo en contacto con productos de plástico durante largos períodos de tiempo.
 - No toque los contactos eléctricos de la unidad. Lo de hacerlo puede causar avería en la unidad.
 - No desmont